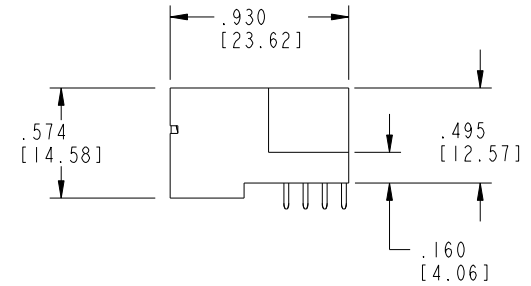
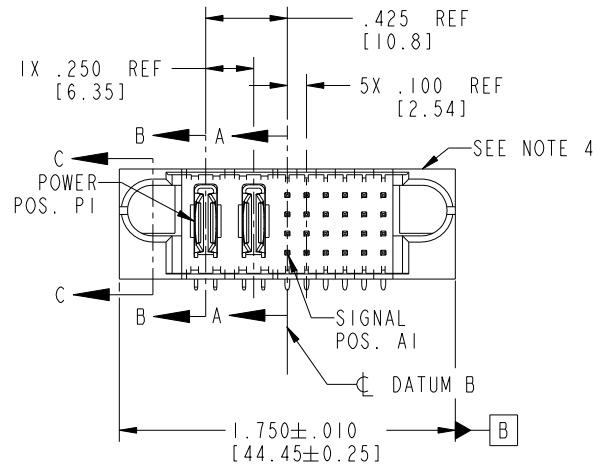


Tous droits strictement réservés. Reproduction ou communication a des tiers interdite sous quelque forme que ce soit sans autorisation écrite du propriétaire. Propriété de c FCI. Droits de reproduction FCI.

All rights strictly reserved. Reproduction or issue to third parties in any form whatever is not permitted without written authority from the proprietor. Property of FCI. Copyright FCI.



PRODUCT NO. 51732-007-- Note: ③	ROWS D C B A	POWER			SIGNAL						
		E1	P1	P2	1	2	3	4	5	6	E2



CODE	DIM "M" MATING LENGTH	CONTACT TYPE
G	.220 [5.59]	SIGNAL
R	.270 [6.86]	SIGNAL
S	.270 [6.86]	SIGNAL
T	.270 [6.86]	SIGNAL
U	.270 [6.86]	SIGNAL
PA	N/A [N/A]	POWER

mat'l code				SEE NOTE 2		tolerances unless otherwise specified		CUSTOMER		FCI www.fciconnect.com	
ltr	ecn no.	dr	date	linear	.XX±.01/0.X±0.3	projection		title 2P + 24S RIGHT ANGLE SOLDER HEADER			
A	V12147	JRW	08/09/01	angles	.XXX±.005/0.XX±0.13	INCH/MM		product family PwrBlade		code 213	
B	V21294	TAB	09/10/02		.XXX±.0020/0.XXX±0.051	scale 1:1		size		sheet 1 of 4	
C	DG05-0170	SJ	06/19/05	dr	0° ± 2°	A		dwg no		51732-007	
D	DG05-0554	GuoJM	12/19/05	enrg		A		A		A	
E	DG08-0272	W D	09/27/08	chr		A		A		A	
sheet index		revision sheet		E	E	E	E	A		A	
				1	2	3	4	A		A	

Pro/E

PDM: Rev: E

STATUS: Released

Printed: Oct 17, 2008

code code 22556

4

Tous droits strictement réservés. Reproduction ou communication a des tiers interdite sous quelque forme que ce soit sans autorisation écrite du propriétaire. Propriété de c FCI. Droits de reproduction FCI.

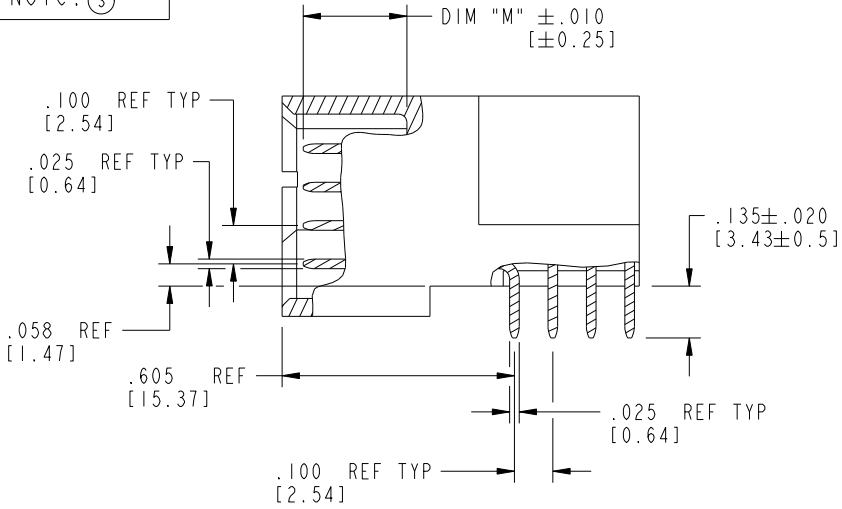
All rights strictly reserved. Reproduction or issue to third parties in any form whatever is not permitted without written authority from the proprietor. Property of FCI. Copyright FCI.



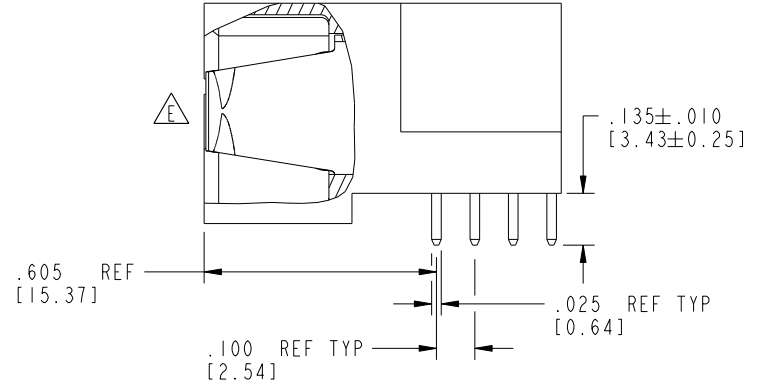
PRODUCT NUMBER

51732-007--

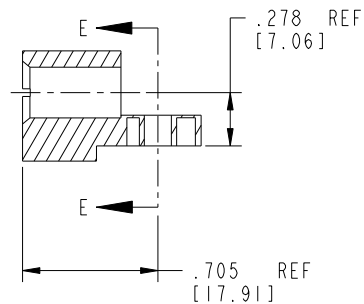
Note: ③



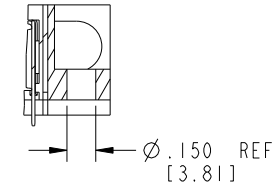
BROKEN-OUT SECTION A-A
SCALE 2:1



BROKEN-OUT SECTION B-B
SCALE 2:1



SECTION C-C



PARTIAL SECTION E-E

mat'l code		SEE NOTE 2		tolerances unless otherwise specified		CUSTOMER		FCI	
lir	ecn no.	dr	date	linear	.XX±.01/0.X±0.3	projection	www.fciconnect.com		
E					.XX±.005/0.XX±0.13	INCH/MM	title 2P + 24S		
				angles	.XXX±.0020/0.XXX±0.051	scale	RIGHT ANGLE SOLDER HEADER		
				dr	0°±2°	1:1	product family PwrBlade		code
				engr	T. BRUNGARD 09/10/02		size		213
				chr	M. MOSTOLLER 09/10/02		dwg no		sheet
				appd	M. MOSTOLLER 09/10/02		A 51732-007		2 of 4
sheet index	revision sheet								

Pro/E

PDM: Rev: E

STATUS: Released

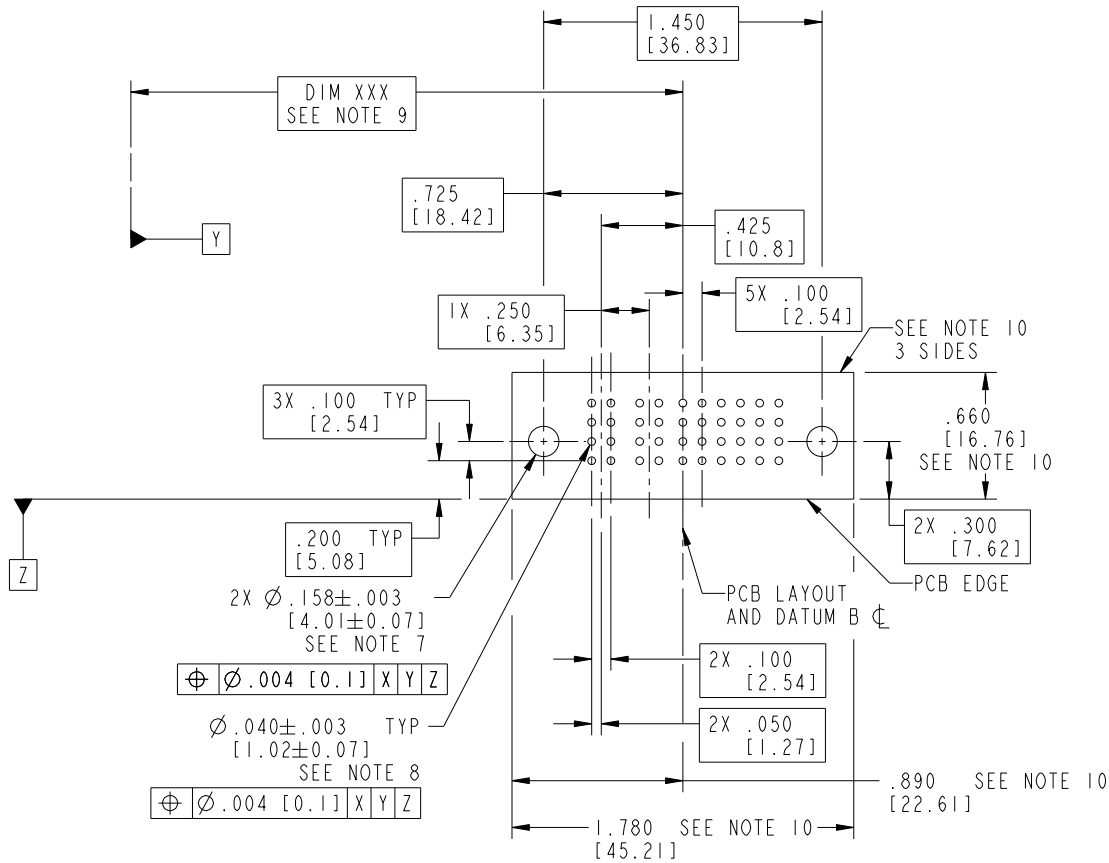
Printed: Oct 17, 2008

Tous droits strictement réservés. Reproduction ou communication a des tiers interdite sous quelque forme que ce soit sans autorisation écrite du propriétaire. Propriété de c FCI. Droits de reproduction FCI.



All rights strictly reserved. Reproduction or issue to third parties in any form whatever is not permitted without written authority from the proprietor. Property of FCI. Copyright FCI.

PRODUCT NUMBER
51732-007--
Note: ③



RECOMMENDED PCB LAYOUT

mat'l code		SEE NOTE 2		tolerances unless otherwise specified		CUSTOMER		 www.fciconnect.com	
ltr	ecn no.	dr	date	linear	.XX±.01/0.X±0.3	COPY		title	
E					.XX±.005/0.X±0.13	projection		2P + 24S	
				angles	.XXX±.0020/0.XXX±0.051			RIGHT ANGLE SOLDER HEADER	
					0°±2°	INCH/MM		product family	
				dr	T. BRUNGARD 09/10/02	scale		PwrBlade	
				enrg	M. MOSTOLLER 09/10/02	1:1		code	
				chr	M. MOSTOLLER 09/10/02			size	
				appd	M. MOSTOLLER 09/10/02			dwg no	
sheet index		revision sheet						A 51732-007	
								213	
								sheet	
								3 of 4	

code code 22516

Pro/E

PDM: Rev: E

STATUS: Released

Printed: Oct 17, 2008

PRODUCT NUMBER

51732-007--
Note: ③

NOTES:

1. DIMENSIONS AND TOLERANCES ARE IN ACCORDANCE WITH ASME Y14.5M, 1994 UNLESS OTHERWISE SPECIFIED.

CONNECTOR NOTES:

2. HOUSING MATERIAL: UL 94 V-0 GLASS FILLED HIGH-TEMP THERMOPLASTIC
POWER CONTACT MATERIAL: COPPER ALLOY
SIGNAL PIN MATERIAL: COPPER ALLOY

⚠ 3. SEE ITEM 1 & 2 IN PRINT 10064183 FOR PLATING SPEC OF 51732-007 AND 51732-007LF RESPECTIVELY.

4. MANUFACTURER'S NAME, P/N, AND DATE CODE TO APPEAR ON THIS SURFACE.

5. PRODUCT SPECIFICATION GS-12-149.
APPLICATION SPECIFICATION BUS-20-067.

PCB NOTES:

6. ALL HOLE DIAMETERS ARE FINISHED HOLE SIZE.

7. MOUNTING HOLES, WHERE APPLICABLE, ARE UNPLATED.

8. $\varnothing .0453 \pm .0010$ [1.151 \pm 0.025] DRILLED HOLES PLATED WITH
.0003 [0.008] MIN SnPb OVER .001 [0.03]
TO .003 [0.08] Cu PLATING TO ACHIEVE
 $\varnothing .040 \pm .003$ [1.02 \pm .07] HOLE.

9. "DIM XXX" TO BE DETERMINED BY THE CUSTOMER.

10. CONNECTOR KEEP-OUT ZONE.

11. ⚠ SYMBOL WILL BE NEXT TO ANY DIMENSION, VIEW, OR NOTE WHICH HAS BEEN MODIFIED WITH THE CURRENT DRAWING REVISION.

Tous droits strictement réservés. Reproduction ou communication a des tiers interdite sous quelque forme que ce soit sans autorisation écrite du propriétaire. Propriété de c FCI. Droits de reproduction FCI.



All rights strictly reserved. Reproduction or issue to third parties in any form whatever is not permitted without written authority from the proprietor. Property of FCI. Copyright FCI.

A

A

B

B

mat'l code		SEE NOTE 2		tolerances unless otherwise specified		CUSTOMER		FCI		www.fciconnect.com	
ltr	ecn no.	dr	date	linear	.XX±.01/0.X±0.3	COPY		title		2P + 24S	
E				projection	.XXX±.005/0.XX±0.13	⊕		RIGHT ANGLE SOLDER HEADER			
				angles	.XXX±.0020/0.XXX±0.051	INCH/MM		product family		code	
				dr	0° ± 2°	scale		PwrBlade		213	
				engr	T. BRUNGARD 09/10/02	1:1		size		sheet	
				chr	M. MOSTOLLER 09/10/02			A		4 of 4	
				appd	M. MOSTOLLER 09/10/02			51732-007			
sheet index	revision sheet										